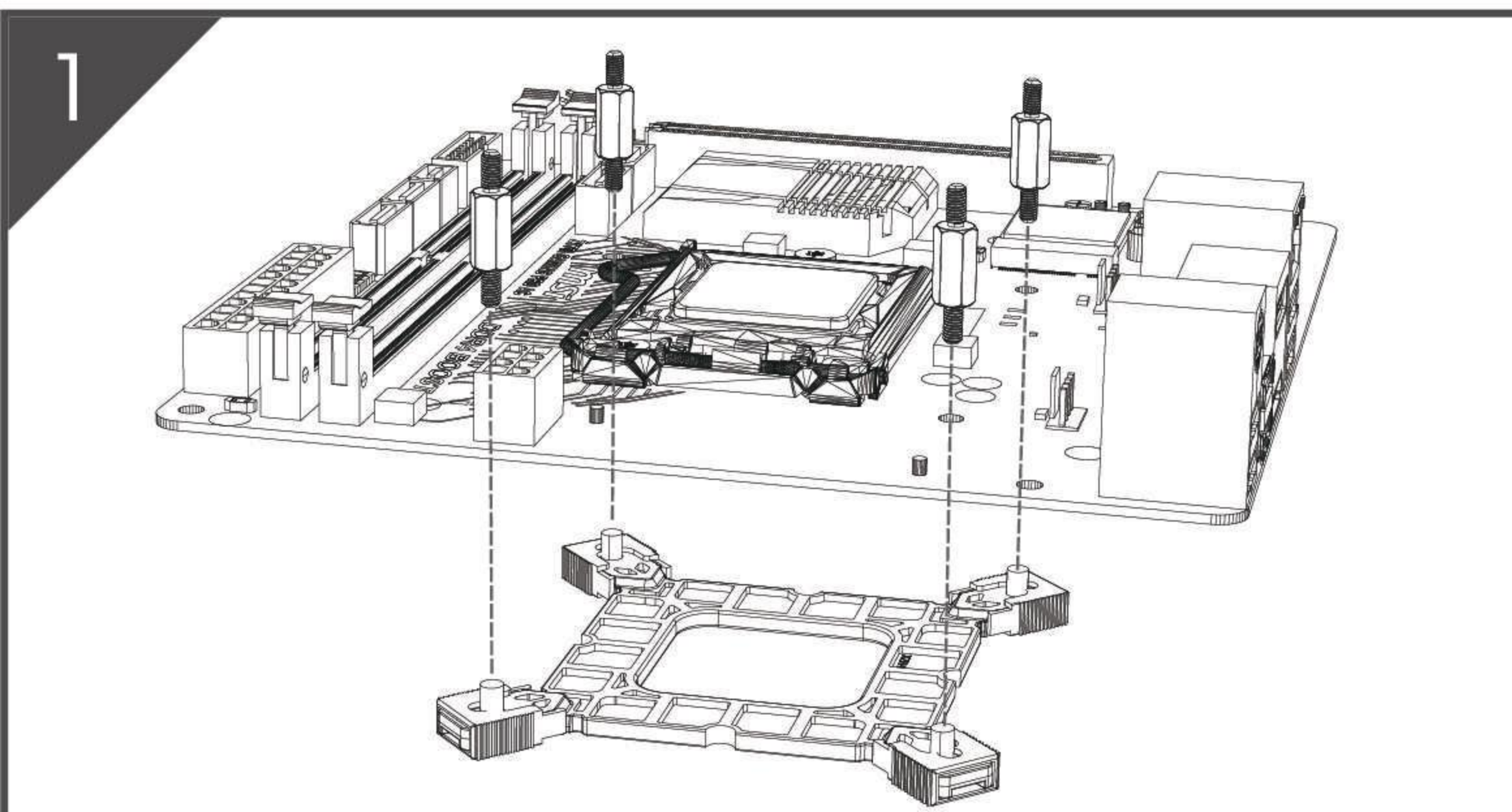
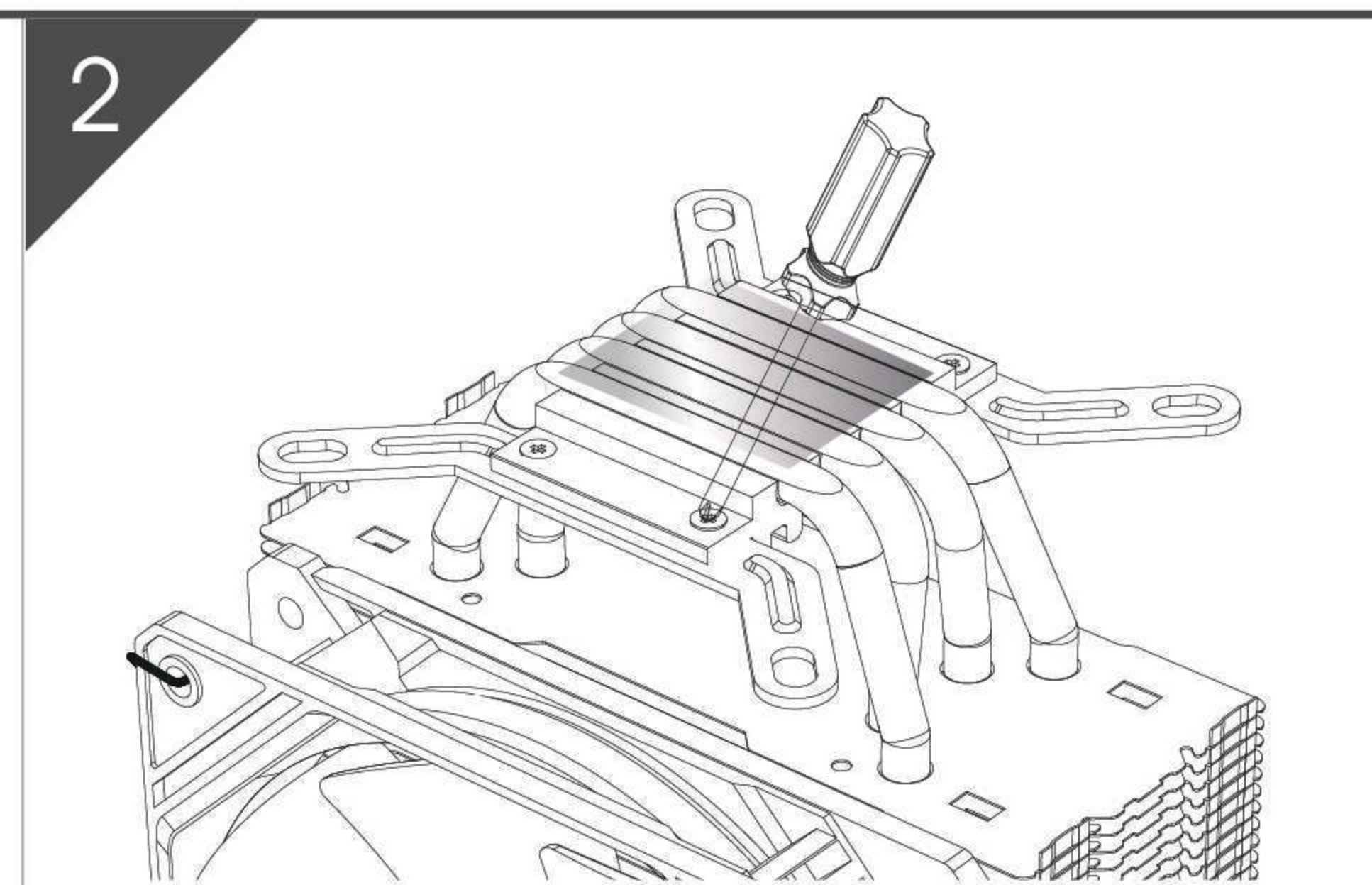


INTEL LGA 115x / 1200 / 1700

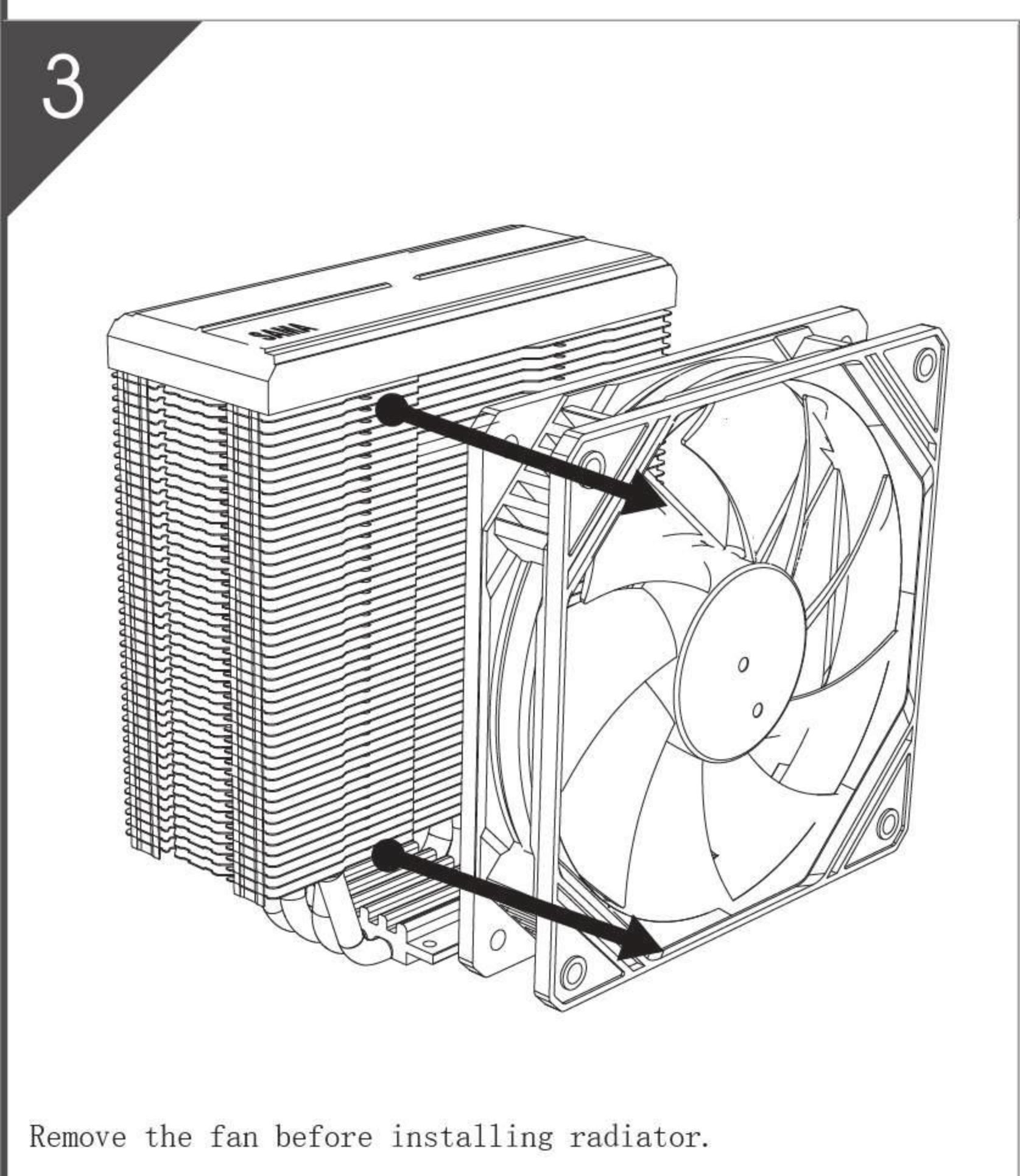
AMD AM4/ AM3(+)/ AM2(+)



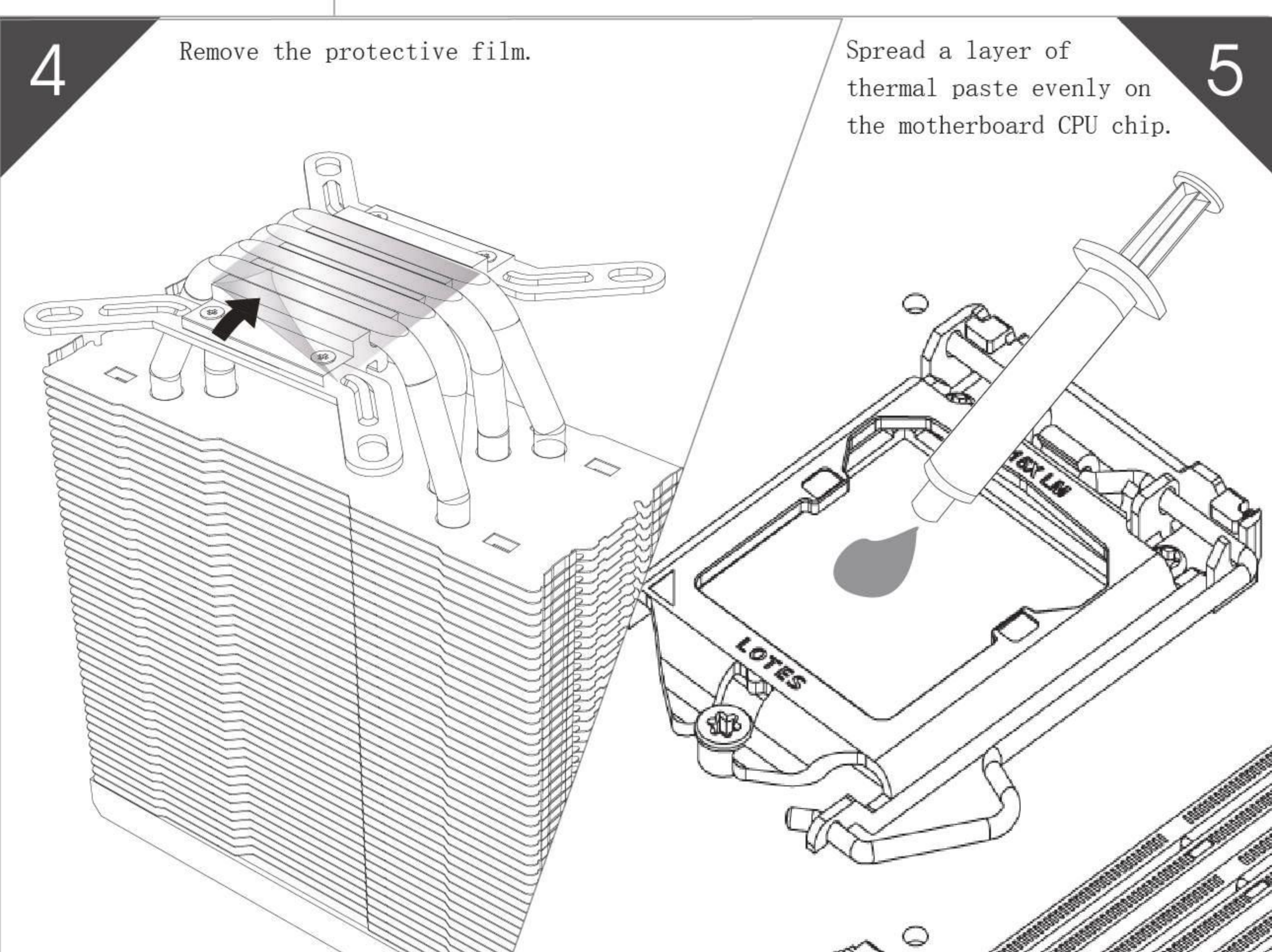
1 Move the positioning slider on the Intel backplate to the desired position, and then place the backplate on the back of the motherboard, and then tighten the screws shown in the figure on the positioning slider on the backplate.



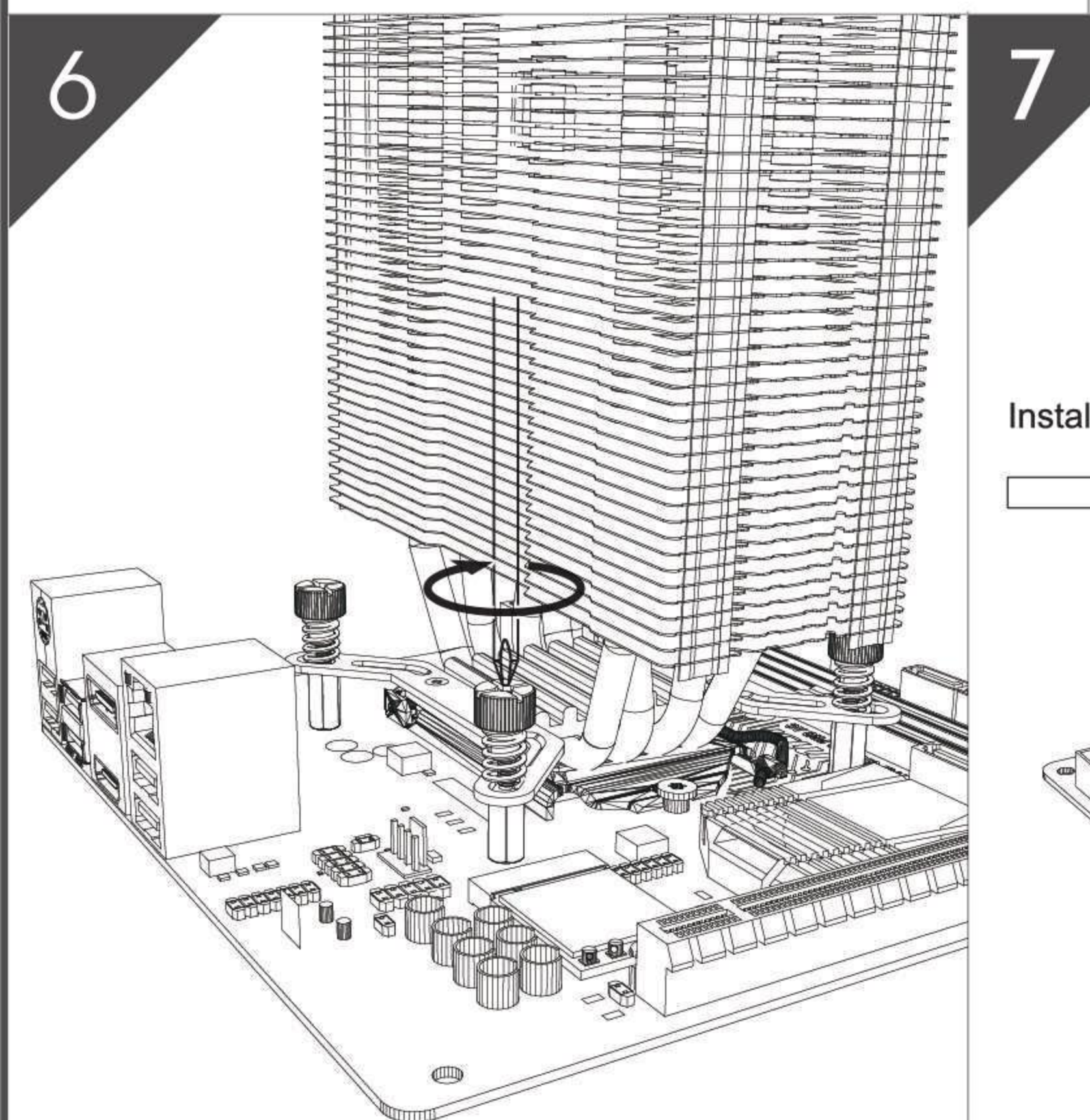
2 Install the Intel mounting brackets to the fixing point of the radiator..



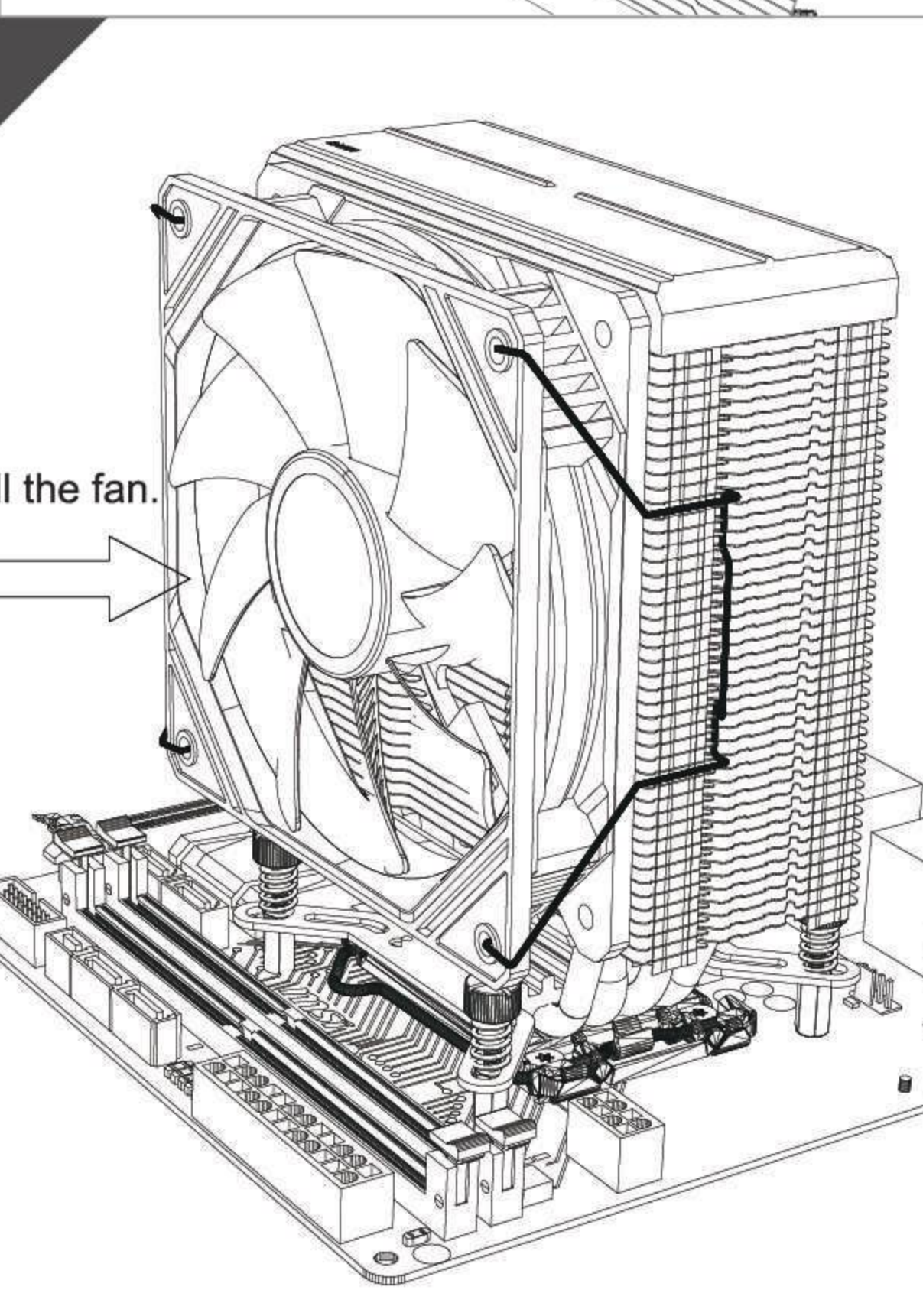
3 Remove the fan before installing radiator.



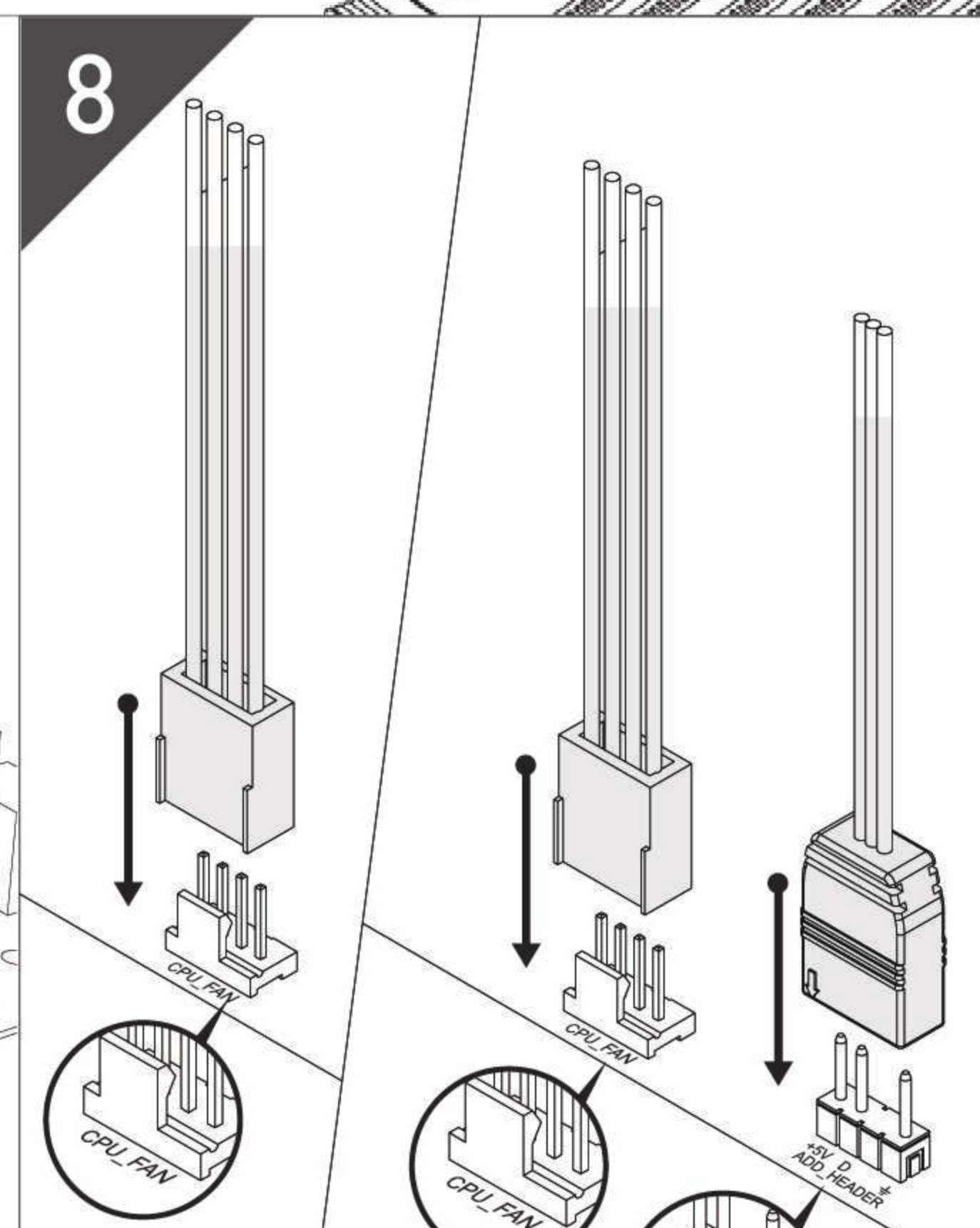
4 Remove the protective film. Spread a layer of thermal paste evenly on the motherboard CPU chip.



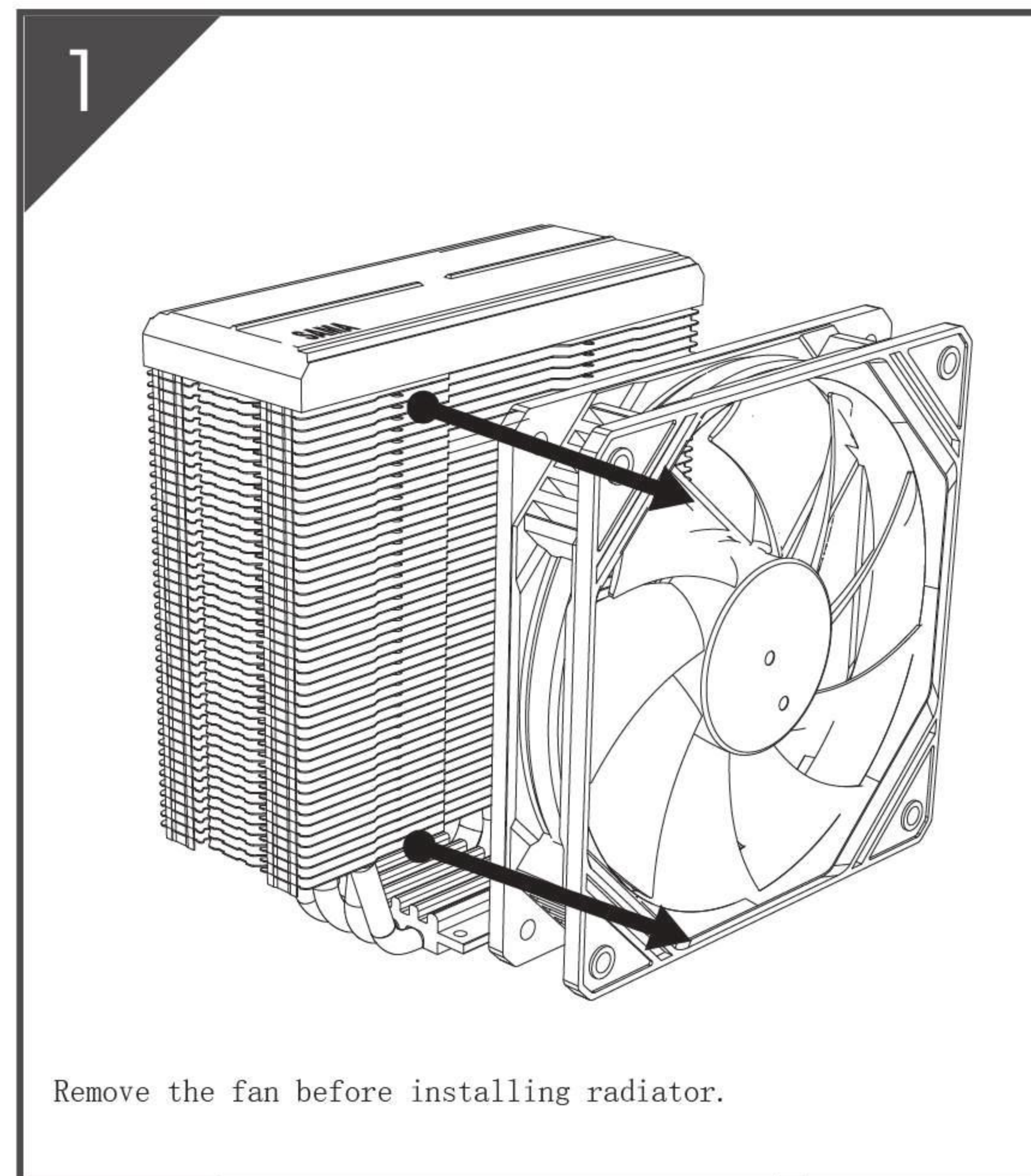
6 Align the holes on the Intel brackets, place the radiator on the screw posts, and then lock the radiator on the screw posts with the spring nuts.



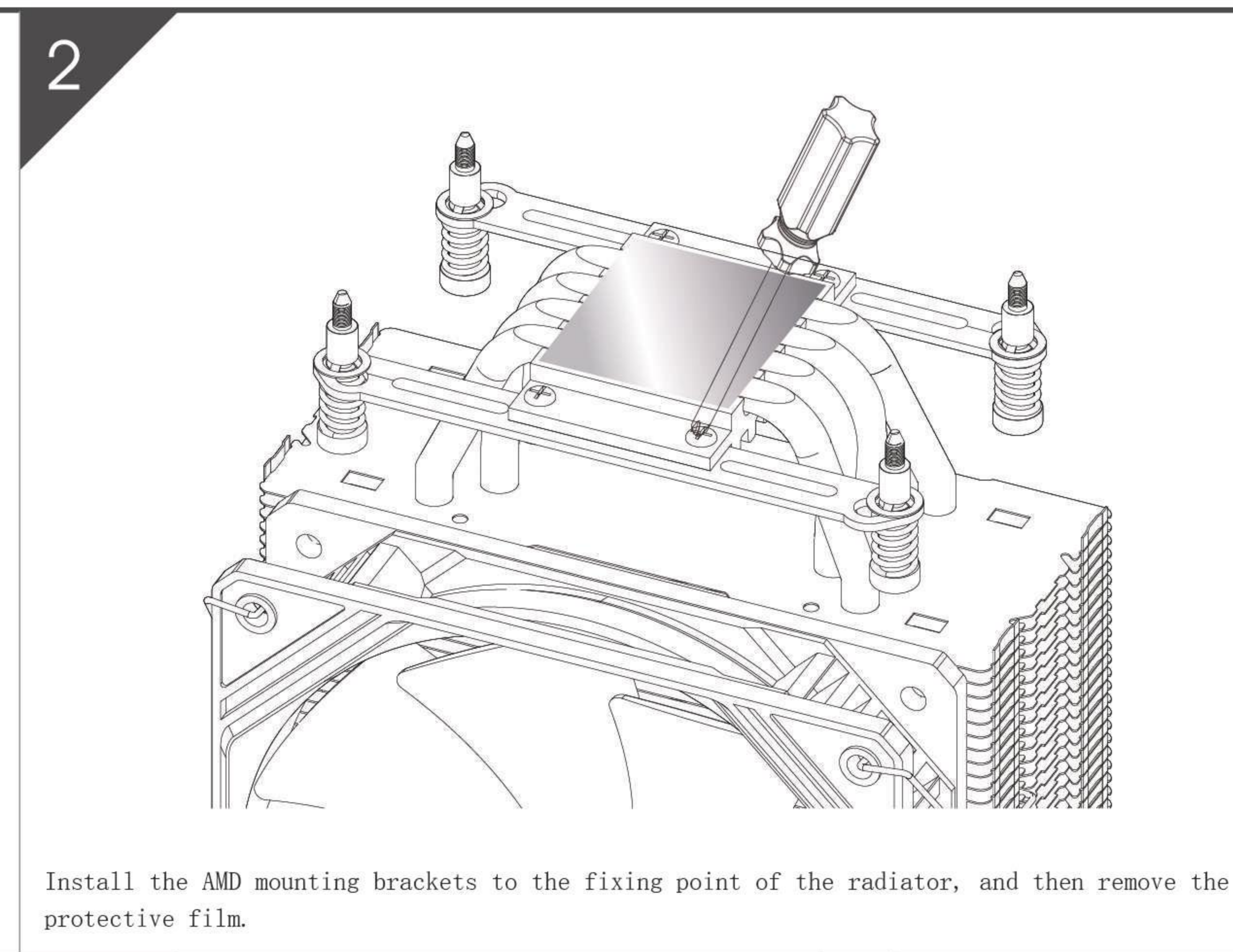
7 Install the fan. Install the fan on the radiator, paying attention to the airflow direction.



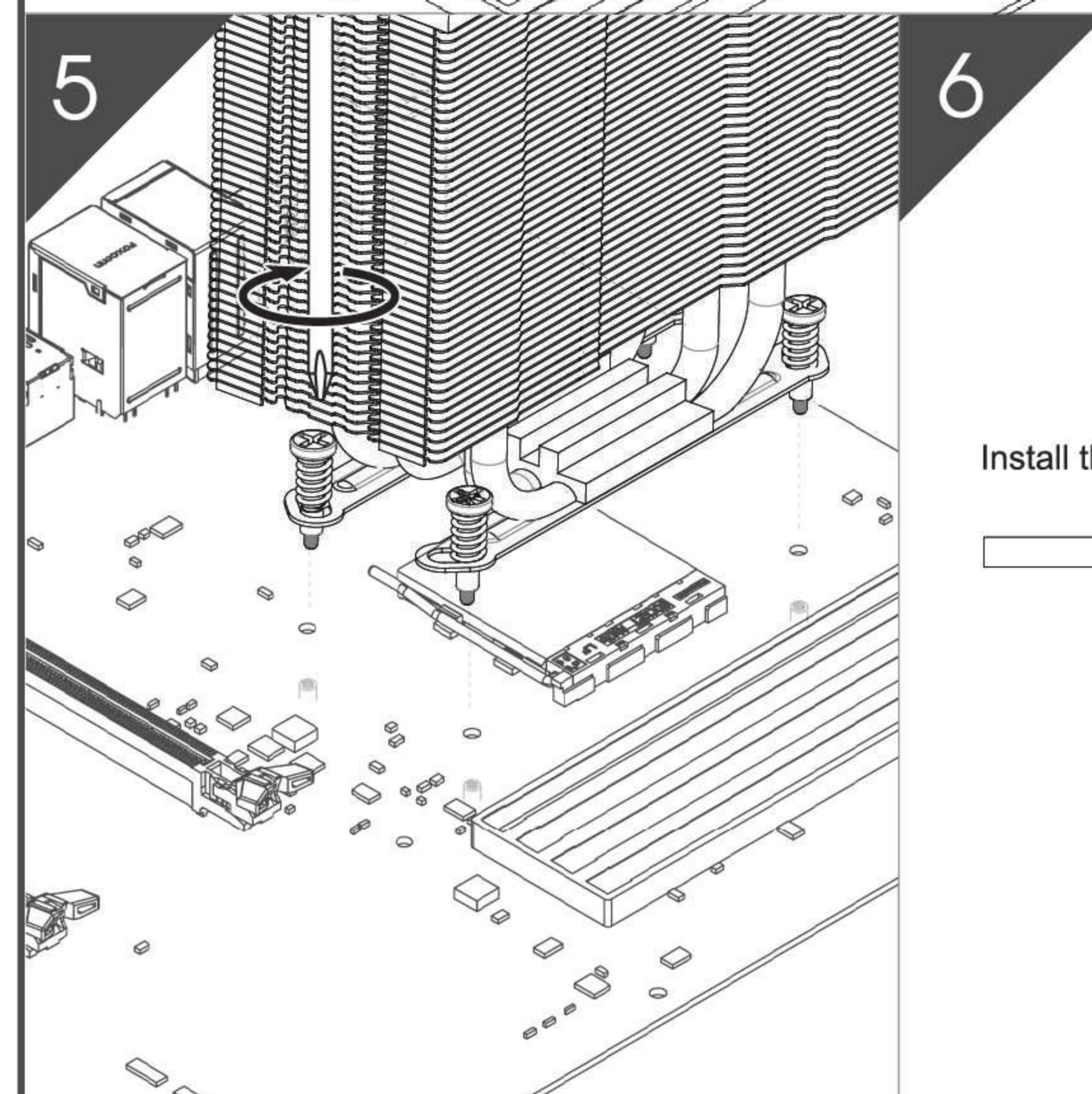
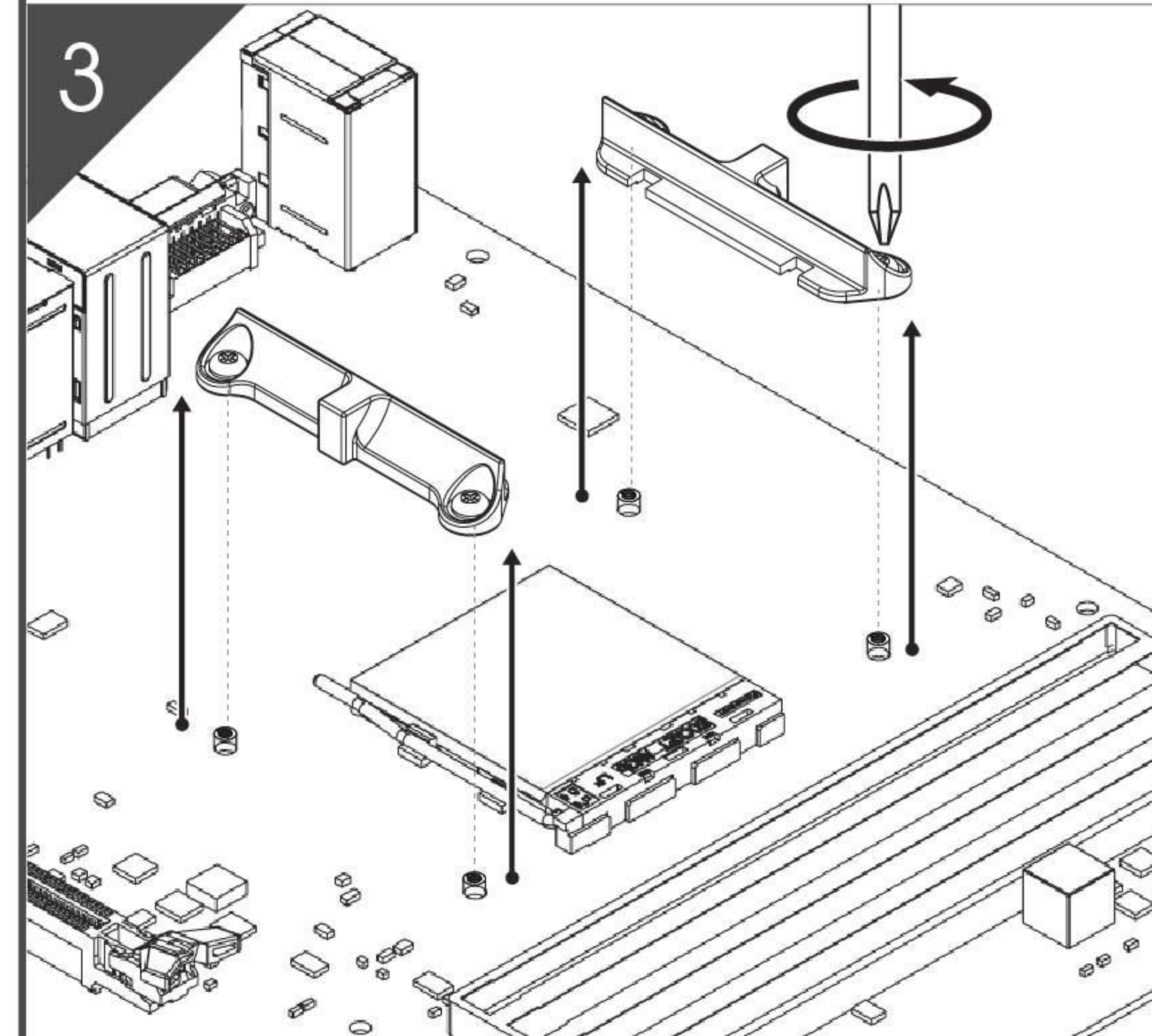
8 • Rainbow LED Ver. • A-RGB Ver. • AIO_Headset



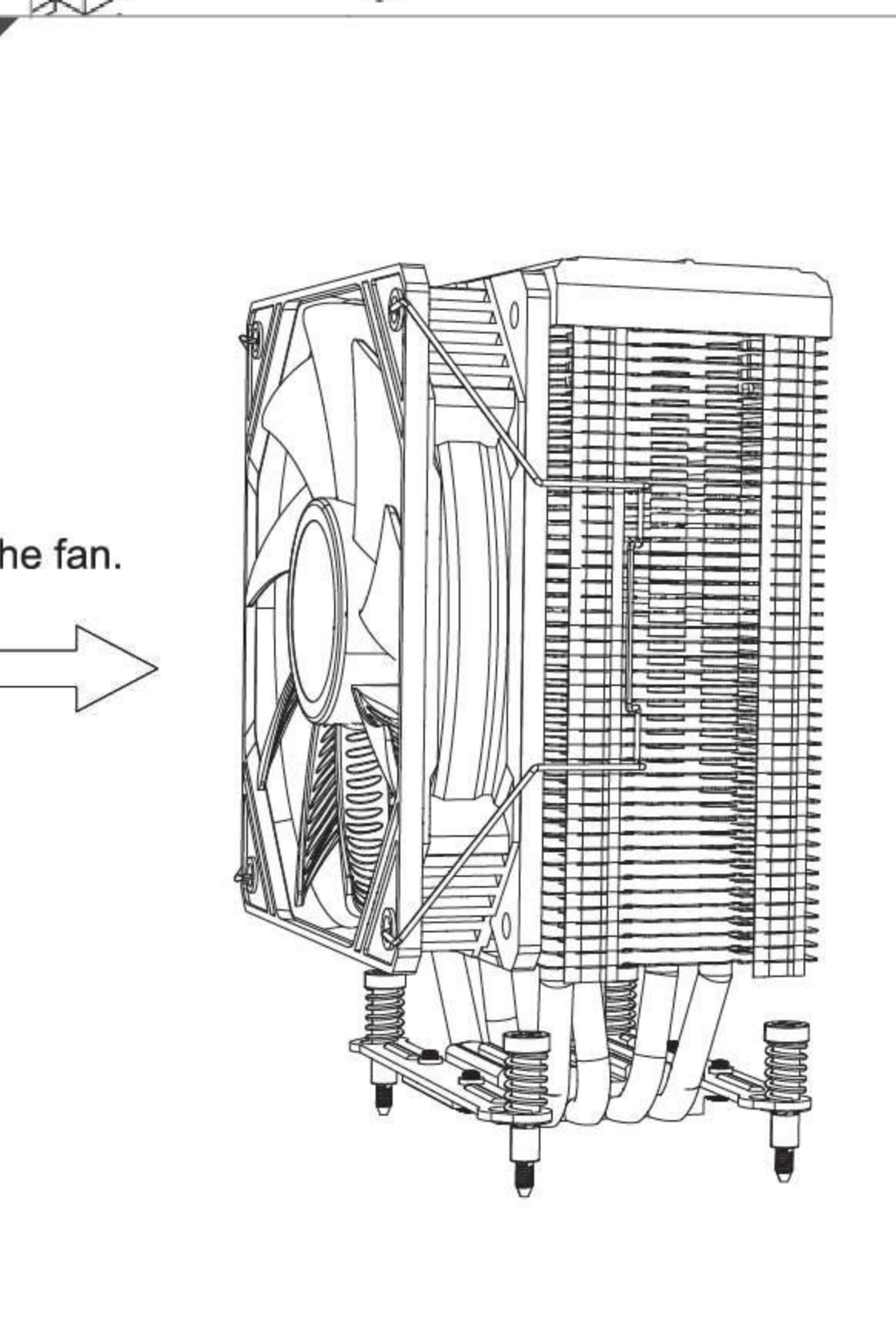
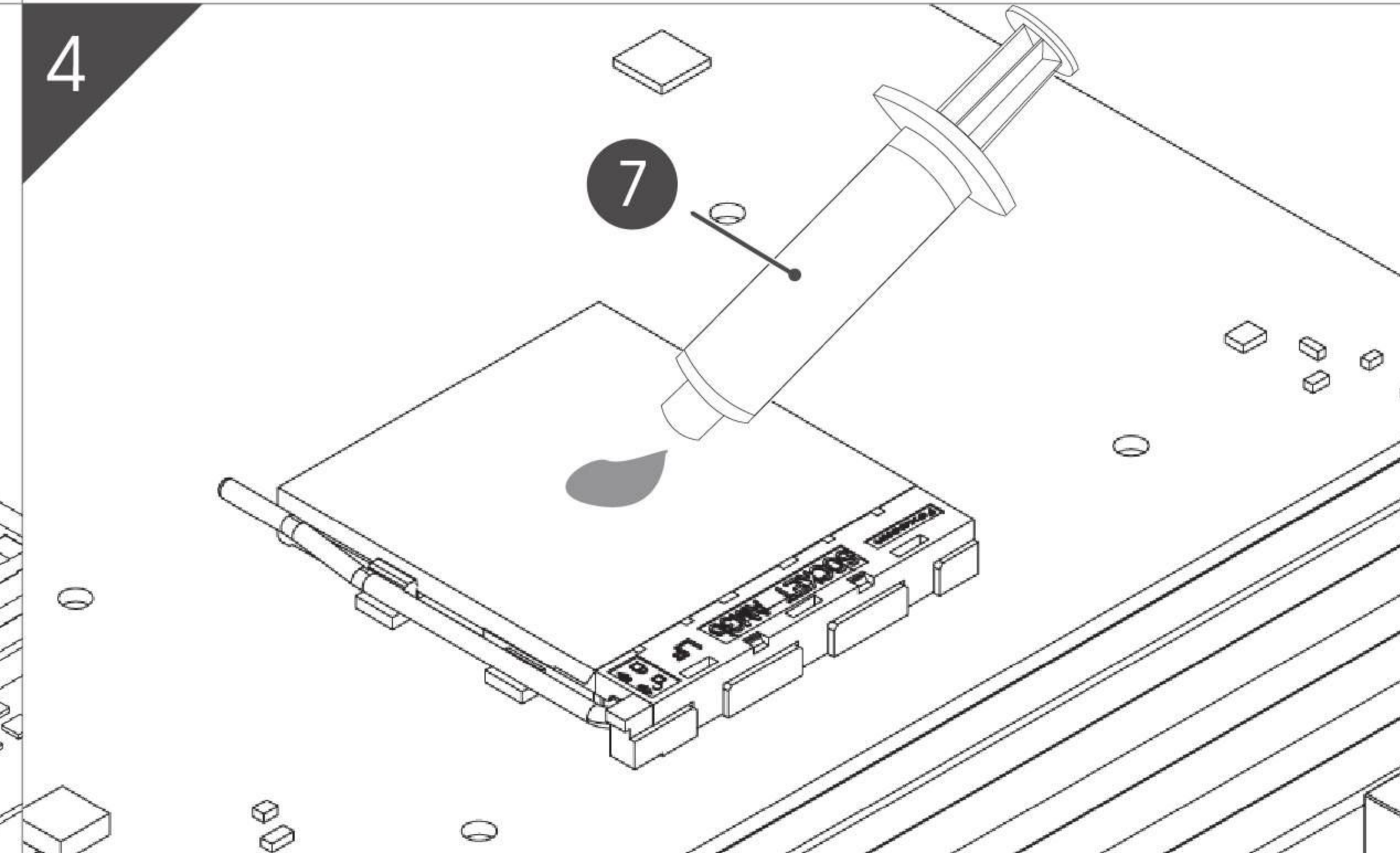
1 Remove the fan before installing radiator.



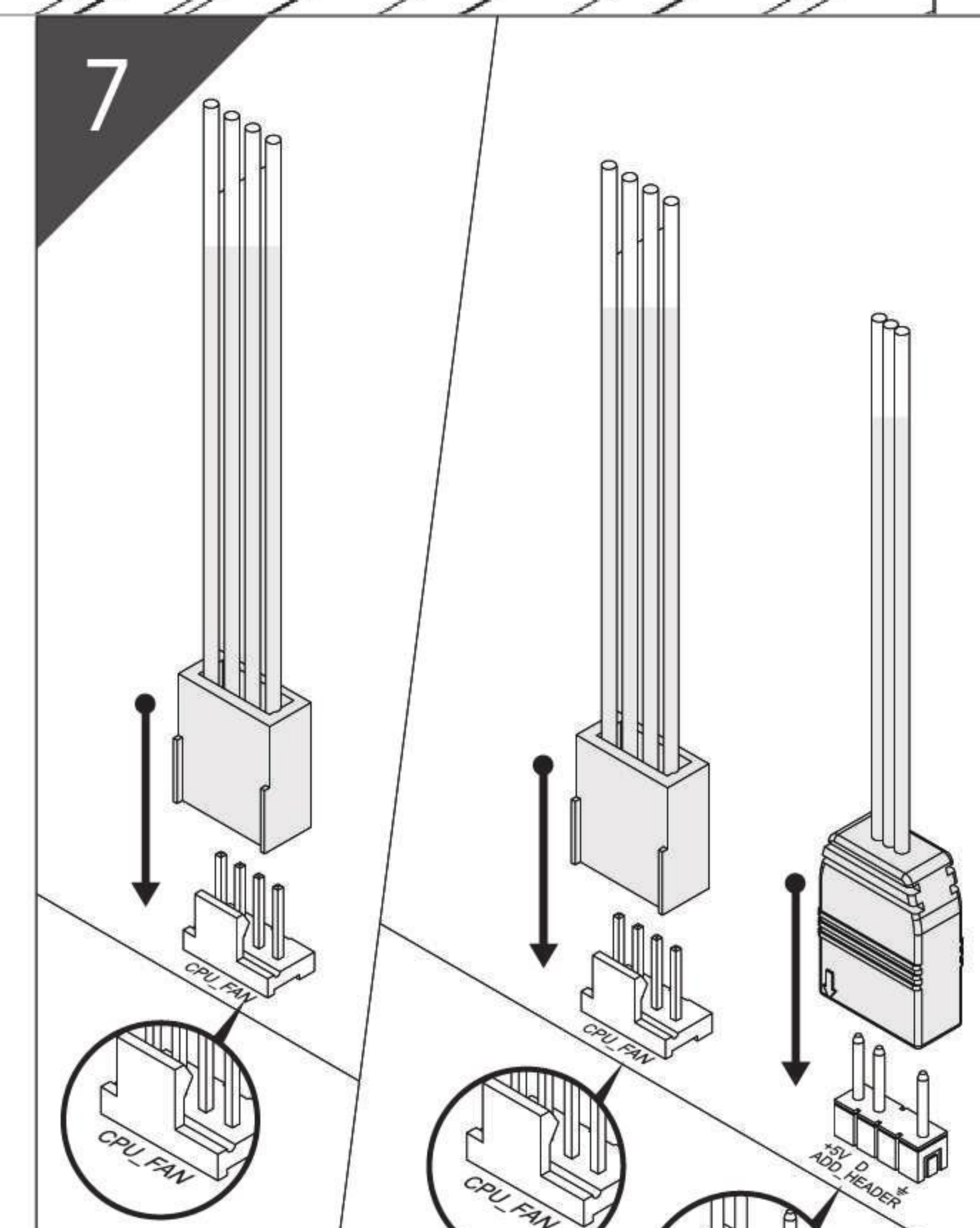
2 Install the AMD mounting brackets to the fixing point of the radiator, and then remove the protective film.



5 Place the radiator on the top of the CPU, align it with the mounting point of the radiator, and then fix the bracket screw on the backplate.



6 Install the fan. Install the fan on the radiator, paying attention to the airflow direction.



7 • Rainbow LED Ver. • A-RGB Ver. • AIO_Headset